

CenterLine® 220 GPS Guidance System

Compact Guidance for any Application

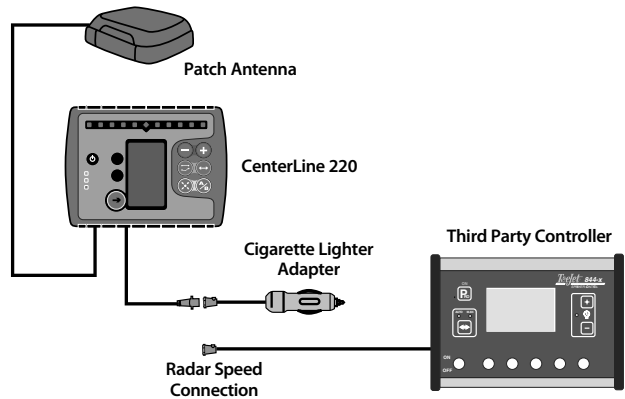
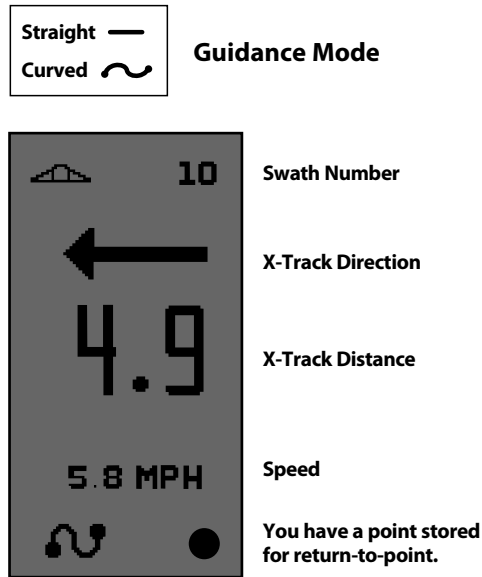
The compact CenterLine 220 is designed to let you profit from GPS lightbar guidance with any field operation. Inside the compact guidance system is a high-quality WAAS/EGNOS GPS receiver and the guidance capabilities that make TeeJet leaders in lightbar guidance.

- Versatile GPS guidance in a compact, portable package.
- LED Lightbar guidance plus a graphical display for complete guidance information.
- High-quality, 5 Hz internal GPS engine with external antenna.
- Simple setup gets you up and running in no time.
- Straight-line (parallel) and curved AB guidance modes.
- Integrated look-ahead functionality anticipates vehicle's future position.
- Return-to-point feature.
- Durable, sealed rubber keypad is easy to see and provides good tactile feedback.
- Provides RADAR-like speed signal output for use with other control systems that require a ground speed signal.

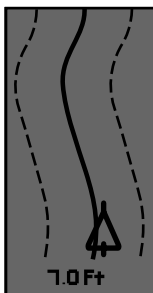


PRECISION

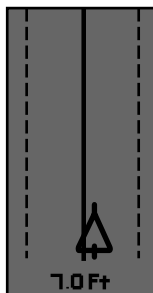
Working Page Layout



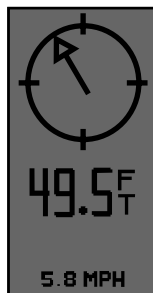
Set Swath Width Screen



View Page Curved AB



View Page Straight AB



View Page Return-to-Point

CenterLine 220 Kit and Component Pricing

PART NO.	DESCRIPTION	
90-02340	Kit, CenterLine 220, US	Call
90-02341	Kit, CenterLine 220, Metric	Call
90-02342	Kit, CenterLine 220, LH Agro.....	Call
90-02343	Kit, CenterLine 220, Autonomous Metric.....	Call
75-30021	Console, CenterLine 220, US.....	Call
75-30022	Console, CenterLine 220, LH Agro.....	Call
75-30023	Console, CenterLine 220, Metric	Call
75-30024	Console, CenterLine 220, Autonomous Metric.....	Call
45-05458	Cable, CenterLine 220, Lighter Adapter.....	Call
45-05459	Cable, CenterLine 220, Simulation	Call
78-50145	Patch Antenna	Call
90-02349	Kit, RAM Mount, CenterLine 220.....	Call
98-01162	Instruction Bulletin.....	Call
99-01015	Extended Warranty, CenterLine 220.....	Call