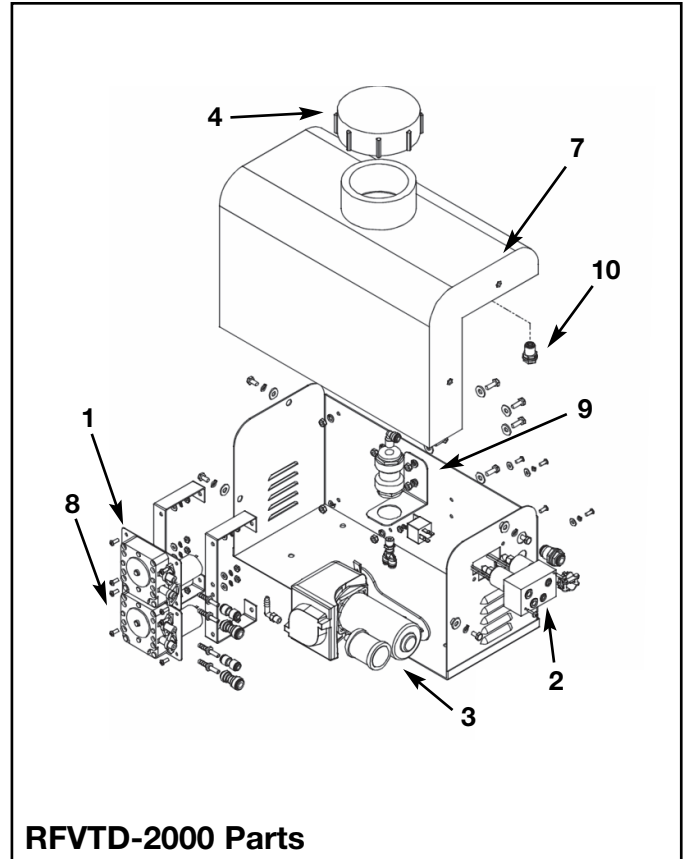
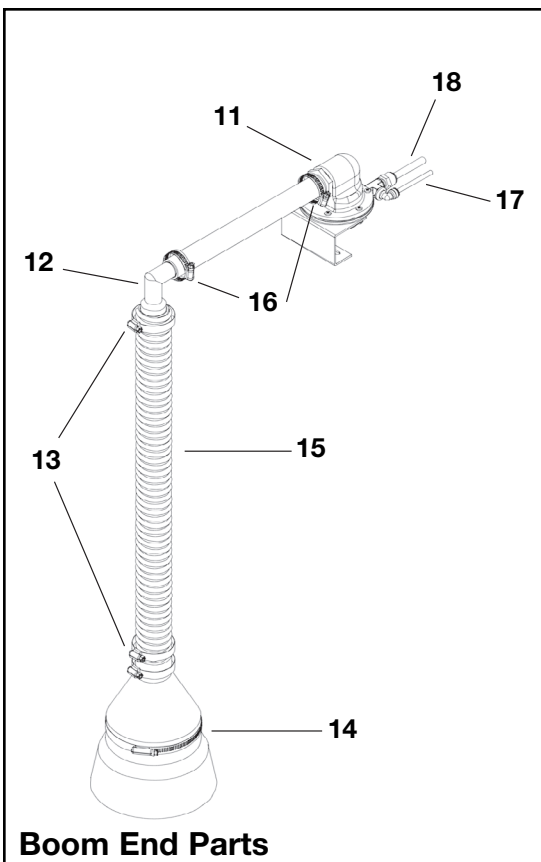


RFTRD-2200 Parts



RFVTD-2000 Parts



Boom End Parts



FOAMER PARTS - Both Models

- 1. Liquid Pump**
E-1357 - Liquid Pump Only
E-1765 - Liquid Pump Tubing (18")
E-0023 - 1/4m x 1/4hb elbow
E-1348 - 1/4 stem x 1/4hb
E-1347 - Speed Clamp
- 2. Control Module Assembly - E-1722**
E-1707 - 3-Way Actuator
E-0969 - 1/8m x 1/4t elbow (QC)
E-1728 - 1/4 Stem x 1/4t elbow (QC)
E-1721 - Control Module Block Only
- 3. Compressor**
E-0024 - Diaphragm Compressor
E-0050 - Compressor Filter
E-0707 - 1/8m x 1/4hb elbow
- 4. Tank Cap Only - E-1705**

RFTRD-2200 Only

- 5. Tank Only - E-1985**
- 6. Flow Control Valve**
E-0250 - Flow Control Valve Only
E-0395 - 1/4m x 1/4t elbow (QC)
E-0075 - 1/4 street elbow

RFVTD-2000 Only

- 7. Tank Only - E-2157**
- 8. Foam Concentrate Pump**
E-1372 - Liquid Pump Only
E-1765 - Liquid Pump Tubing (18")
E-0023 - 1/4m x 1/4hb elbow
E-1348 - 1/4 stem x 1/4hb
E-1347 - Speed Clamp
- 9. Foam Mix Chamber**
E-2158 - Mix Chamber Only
E-0395 - 1/4T x 1/4m elbow QC
E-2159 - 1/4m x 1/4T "Y"
- 10. Bulkhead 1/4" QC - E-0401**

BOOM END PARTS

- 11. Remote Foam Head Complete - E-1986**
- 12. Boom End Elbow - E-0012**
- 13. #28 Hose Clamp - E-0042**
- 14. Collector Deflector (Orange) - CD-150-NO
Collector Deflector (Orange) - CD-200-NO**
- 15. 1-1/2" Drop Hose - E-0013**
- 16. #20 Hose Clamp - E-0059**
- 17. 1/4" Tubing (per ft.) - E-0286**
- 18. 3/8" Tubing (per ft.) - E-0310**

**Call for More
Information
and Pricing**