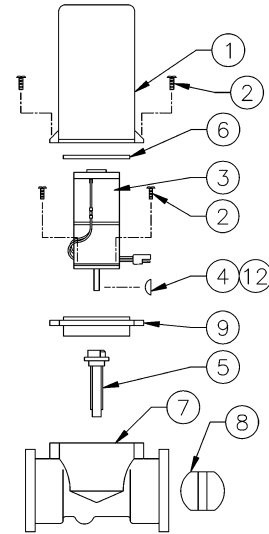
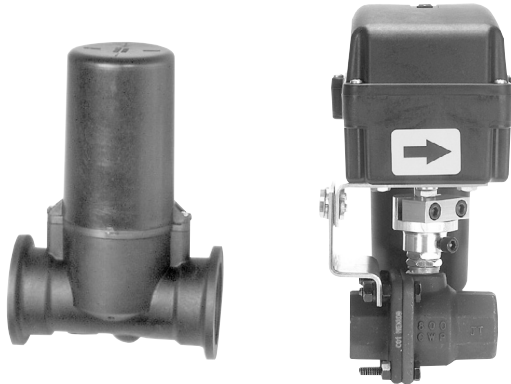




Building a Platform For Success.

CONTROL VALVES



1" and 1 1/2" Poly Control Valve Replacement Parts
063-0172-125: 1" valve 063-0171-894: 1 1/2" valve

RA/	DESCRIPTION	PRICE
063-0172-125	1" Poly Control Valve, 175 psi (Butterfly), Flanged & 1" FPT	365.50
063-0172-168	1" Carbon Steel Control Valve NH3 (Ball) (400psi)	663.00
063-0171-894	1-1/2" Poly Control Valve, 175psi (Butterfly)	408.00
063-0172-177	2" S.S. Control Valve (Butterfly)	918.00
063-0172-170	1" Carbon Steel Fast Close Control Valve NH3 (Ball) (400psi)	833.00

REF	RA/	DESCRIPTION	PRICE
1	106-0159-407	Valve Cover	8.42
2	321-0000-256	#6-32 x 3/4" Lg. Screw	0.09
3	063-0159-409	Motor Assembly	263.50
4	321-0000-062	Woodruff Key	1.36
5	019-0159-016	Coupler Shaft (1" Valve)	15.05
6	063-0171-893	Coupler Shaft (1-1/2" Valve)	59.50
7	219-0000-020	Seal Tetraseal	1.19
8	063-0172-124	Valve Body Mod. (1" Valve)	47.60
9	063-0171-892	Valve Body Mod. (1-1/2" Valve)	61.20
10	106-0159-411	Butterfly (1" Valve)	2.30
11	106-0159-414	Butterfly (1-1/2" Valve)	2.89
12	063-0159-457	Isolation Flange Assembly	12.48
	117-0159-810	Iso-Body Kit (1" Valve) (not shown)	95.20
	117-0159-739	Iso-Body Kit (1-1/2" Valve) (not shown)	100.30
	115-0159-415	Polarity Reversal Jumper (not shown)	10.20

FLOW METERS

RFM-15F Flow Meter



Polypropylene housing has 1-1/2" female NPT ports or 2 inch flanged ends. Rated at 175psi. Flow range is .3-15 GPM.

REF	RA/	DESCRIPTION	PRICE
	063-0172-040	RFM 15F Flowmeter Assembly M200 Flanged	408.00
1	106-0159-550	Body, Modified RFM 15 Flanged	49.30
2	063-0171-674	Rotor/Magnet Assembly	74.80
4	063-0171-769	Hub Assembly, Downstream	20.40
5	335-0000-278	Ring, Retaining, Internal	7.74
6	063-0159-570	Stud Bearing	56.10
7	435-3002-017	Clamp, Cable	0.23
8	310-0002-137	Screw, Thread Forming	0.23
9	063-0171-669	Sensor, Assembly, External	129.20

