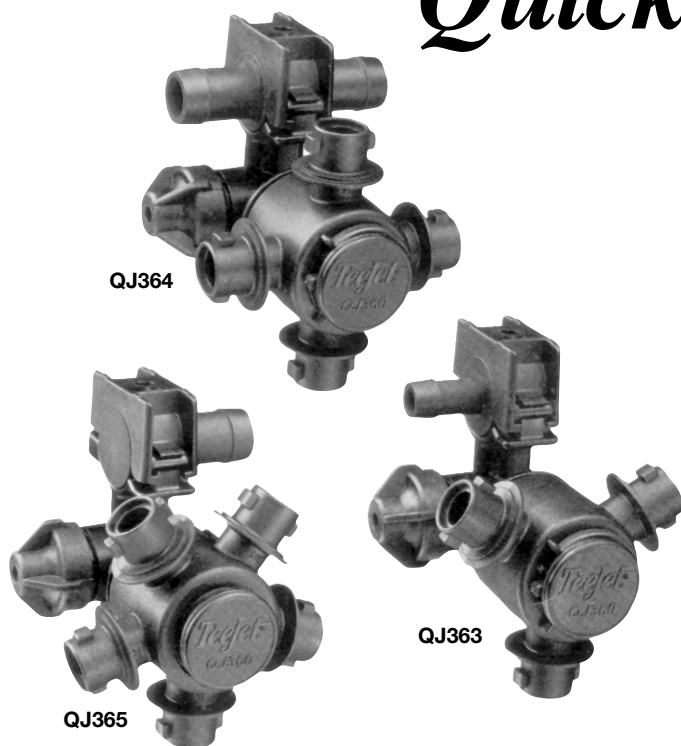
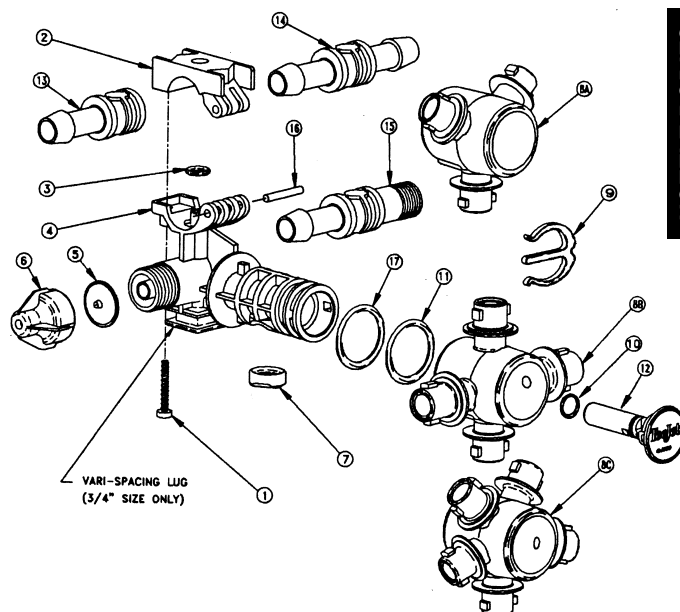


## Quick TeeJet®



### QJ360 Nozzle Body Series for Dry Boom

- Available with either 3, 4 or 5 spray positions for easy change of spray tips or quick boom flushing
- Positive shutoff between each spray position
- Maximum operating pressure of 300 PSI (20 bar)
- Available in 1/2", 3/4" or 1" single or double hose shanks
- Includes ChemSaver® diaphragm check valve for drip-free shutoff
- Durable design mounts body high on boom structure for maximum protection
- Standard EPDM diaphragm with Viton® available as an option



NOZZLE BODIES

### 360 Series Ordering Information:

Part Number		No. of Spray Outlets	To Fit Hose I.D.
Single	Double		
QJ363-500-1-NYB	QJ363-500-2-NYB	3	1/2"
QJ363-750-1-NYB	QJ363-750-2-NYB	3	3/4"
QJ363-1000-1-NYB	QJ363-1000-2-NYB	3	1"
QJ364-500-1-NYB	QJ364-500-2-NYB	4	1/2"
QJ364-750-1-NYB	QJ364-750-2-NYB	4	3/4"
QJ364-1000-1-NYB	QJ364-1000-2-NYB	4	1"
QJ365-500-1-NYB	QJ365-500-2-NYB	5	1/2"
QJ365-750-1-NYB	QJ365-750-2-NYB	5	3/4"
QJ365-1000-1-NYB	QJ365-1000-2-NYB	5	1"

### SINGLE HOSE SHANK DESIGN

TJ/	Description	Price
QJ363C-500-1-NYB	Three outlet 1/2" hose barb	19.18
QJ363C-750-1-NYB	Three outlet 3/4" host barb	19.18
QJ363C-1000-1-NYB	Three outlet 1" hose barb	19.18
QJ364C-500-1-NYB	Four outlet 1/2" hose barb	19.18
QJ364C-750-1-NYB	Four outlet 3/4" hose barb	19.18
QJ364C-1000-1-NYB	Four outlet 1" hose barb	19.18
QJ365C-500-1-NYB	Five outlet 1/2" hose barb	19.18
QJ365C-750-1-NYB	Five outlet 3/4" hose barb	19.18
QJ365C-1000-1-NYB	Five outlet 1" host barb	19.18

### DOUBLE HOSE SHANK DESIGN

TJ/	Description	Price
QJ363C-500-2-NYB	Three outlet 1/2" hose barb	19.18
QJ363C-750-2-NYB	Three outlet 3/4" host barb	19.18
QJ363C-1000-2-NYB	Three outlet 1" hose barb	19.18
QJ364C-500-2-NYB	Four outlet 1/2" hose barb	19.18
QJ364C-750-2-NYB	Four outlet 3/4" hose barb	19.18
QJ364C-1000-2-NYB	Four outlet 1" hose barb	19.18
QJ365C-500-2-NYB	Five outlet 1/2" hose barb	19.18
QJ365C-750-2-NYB	Five outlet 3/4" hose barb	19.18
QJ365C-1000-2-NYB	Five outlet 1" host barb	19.18

ITEM	TJ/	DESCRIPTION
1	CP48255-1-1/4-430SS	Screw, 430 Stainless Steel
2	CP48221-NYB	3/4" Upper Clamp, Nylon (Black)
3	CP7717-2/110-BU	O-Ring, Buna-N
	CP7717-2/110-VI	O-Ring, VITON (Optional)
4	CP38925-NYB	3/4" Split-Eyelet Body, Nylon (Black)
5	CP21953-EPR	Diaphragm, EPDM Rubber
	CP21953-VI	Diaphragm, VITON (Optional)
6	21950-10-NYB	ChemSaver® End Cap Assembly, Nylon (Black)
7	CP38943-1-VI	Seal, Viton
8A	CP38921-NYB	#363 Turret, Nylon (Black)
8B	CP38922-NYB	#364 Turret, Nylon (Black)
8C	CP38923-NYB	#365 Turret, Nylon (Black)
9	CP38931-NYB	E-Clip Nylon (Black)
10	CP7717-2/13-EPR	O-Ring, RPDM Rubber (Standard)
	CP7717-1/13-CI	O-Ring, VITON (Optional)
11	CP7717-2-216-EPR	O-Ring, EPDM Rubber (Standard)
	CP7717-2/216-VI	O-Ring, VITON (Optional)
12	CP38930-NYB	Plug, Nylon (Black)
	CP38936-NYB	1/2" Single Hose Shank, Nylon (Black)
	CP38938-NYB	3/4" Single Hose Shank, Nylon (Black)
	CP38940-NYB	1" Single Hose Shank, Nylon (Black)
	CP38937-NYB	1/2" Double Hose Shank, Nylon (Black)
14	CP38939-NYB	3/4" Double Hose Shank, Nylon (Black)
	CP38941-NYB	1" Double Hose Shank, Nylon (Black)
15	CP38948-NYB	1/2" NPT x 3/4" Hose Shank, Nylon (Black)
16	CP48256-SS	Pivot Pin, 303 Stainless Steel
17	CP7717-2-129-EPR	O-Ring Dust Seal, EPR Rubber (Standard)
	CP7717-2-129-VI	O-Ring Dust Seal, Viton Rubber (Optional)