

**RAVEN**

**PRECISION Solutions**

*Building a Platform For Success.*



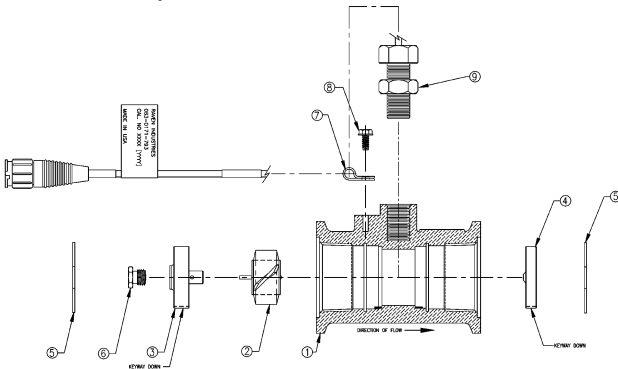
FLOW METERS

**RFM-60P Flow Meter**

Polypropylene housing. 1 to 60GPM (4 - 226 liters) flow rate. 1-1/2" (F)NPT and 2 inch flanged inlet and outlet. 175psi rating. For use with chemicals and liquid fertilizer.

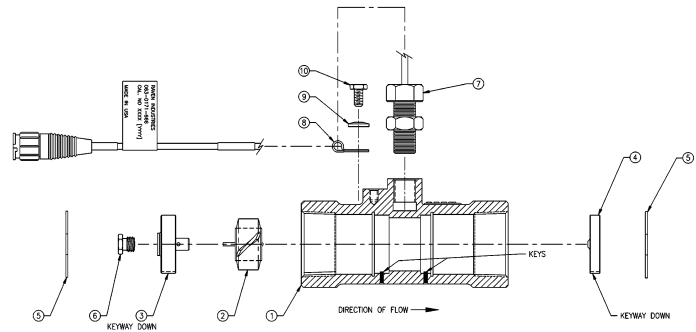
**RFM-60S Flow Meter**

303 stainless steel housing. 1-60GPM, 1-1/2" (F) ports, and 500psi rating. For use with anhydrous ammonia.



**RFM 60P Replacement Parts**

REF RA/	DESCRIPTION	PRICE
063-0171-793	RFM 60P Flowmeter Assembly M200 Flanged	544.00
1 106-0159-514	Body, RFM 60P Flowmeter	27.20
2 063-0171-673	Rotor/Magnet Assembly	158.10
3 063-0171-674	Hub/Bearing Assembly, Upstream	74.80
4 063-0171-769	Hub Assembly, Downstream	20.40
5 335-0000-278	Ring, Retaining, Internal	7.74
6 063-0159-570	Stud Bearing	56.10
7 435-3002-017	Clamp, Cable	0.23
8 310-0002-137	Screw, Thread Forming	0.23
9 063-0171-669	Sensor, Assembly, External	129.20



**RFM 60S Replacement Parts**

REF RA/	DESCRIPTION	PRICE
063-0171-666	RFM-60S Flowmeter Assembly	840.15
1 107-0171-246	Body, RFM 60S Flow Meter	238.00
2 063-0171-673	Rotor/Magnet Assembly	158.10
3 063-0171-674	Hub/Bearing Assembly, Upstream	74.80
4 063-0171-769	Hub Assembly, Downstream	20.40
5 335-0000-278	Ring, Retaining, Internal	7.74
6 063-0159-570	Stud Bearing	56.10
7 063-0171-669	Sensor Assembly	129.20
8 435-3001-042	Clamp, Cable Insulated	2.47
9 313-2400-001	Washer, Spring	0.94
10 311-0050-254	Bolt, Hex Head	1.28

**RFM-100 Flow Meter**

Polypropylene housing. 3-100 GPM (11-378 liters) flow rate. 2" inlet and outlet. 150psi rating.

**RFM 100 Replacement Parts**

REF RA/	DESCRIPTION	PRICE
063-0171-066	RFM-100 Flowmeter Assembly M200 Flanged	884.00
1 063-0171-068	Outlet Housing Assembly	408.00
2 107-0171-006	Outlet Housing	187.00
3 107-0171-005	Hub Housing, Inlet	23.80
4 063-0171-069	End Bearing/P.C. Assembly	204.00
5 117-0159-567	End Bearing/P.C. Assembly Kit	212.50
6 311-0013-390	2-56 x 1/2" Flat Hd. S.S. Screw	0.26
7 064-0171-117	P.C. Assembly	178.50
8 219-0002-018	O-Ring, Viton	2.40
9 063-0171-067	End Bearing Assembly	57.80
10 435-3003-032	Retaining Clamp	52.70
11 219-0002-238	O-Ring, Viton	4.59
12 321-0000-221	RFM 100 Turbine	178.50
13 310-0002-133	6-20 x 1/2" Pan Hd. S.S. Screw	0.26
14 321-0000-222	Turbine Hub/Bearing Assembly	178.50
15 063-0171-082	Turbine Stud Assembly	56.10
16 219-0002-140	O-Ring, Viton	2.04
17 107-0159-509	Mounting Bracket, RFM 100 (not shown)	25.50
18 435-3003-009	Hose Clamp (not shown)	6.97
19 117-0159-441	Cable Kit (not shown)	54.40

