

Quick TeeJet®

QJ100 Series Quick TeeJet® Nozzle Assemblies

In sizes to fit 1/2", 3/4", 1" and 1 1/4" pipe and equivalent size tubing. Also for 3/4" (19 mm), 1" (25 mm), 1 1/4" (32 mm) and 1 1/2" (38 mm) sq. tubing. Hose barb sizes for 3/8" (9.5 mm), 1/2" (12.5 mm) or 3/4" (19 mm) I.D. hose. Available in single, double, or triple hose shanks. Max. operating pressure - 125 PSI (9 bar).



QJ200 Series Diaphragm Check Valve Quick TeeJet® Nozzle Assemblies

Drip-free shutoff. Opening pressure - 10 PSI (0.7 bar). Standard diaphragm is EPDM with Viton® optional. Max. operating pressure - 125 PSI (9 bar). Available in same sizes as Type QJ100 Series. Available in single, double or triple hose shanks.



QJ300 Series Diaphragm Check Valve Quick TeeJet® Nozzle Assemblies

Low profile design allows maximum protection against damage. Available with single and double hose shanks for 3/8" (9.5 mm), 1/2" (12.5 mm) and 3/4" (19 mm) I.D. hose. Drip-free shutoff. Opens at 10 PSI (0.7 bar). Standard diaphragm is EPDM with Viton® optional. Maximum operating pressure is 300 PSI (20 bar).



22251



22252



18635



18636



18637



19349



19350



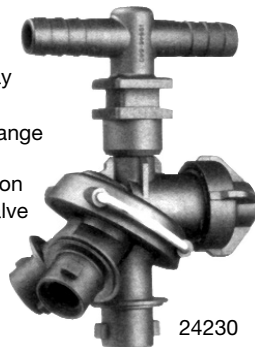
19351

NOZZLE BODIES

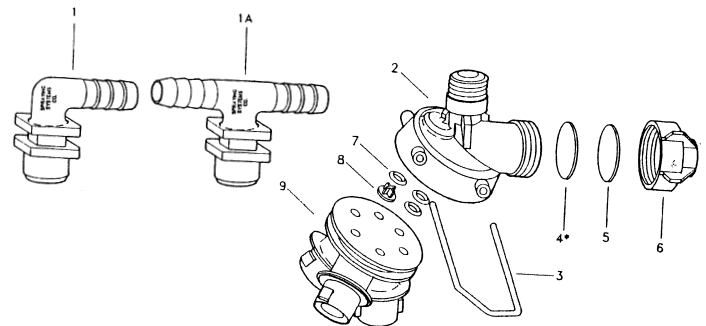
Size TJ/	Part # Single (L)	Part #Double (T) QJ 300 SERIES	Part #Triple (+)	Price
3/8"	22251-311-375-NYB	22252-312-375-NYB	-	8.10
1/2"	22251-311-500-NYB	22252-312-500-NYB	-	8.10
3/4"	22251-311-750-NYB	22252-312-750-NYB	-	8.10
TJ/	QJ 200 SERIES			
3/8"	19349-211-406-NYB	19350-212-406-NYB	19351-213-406-NYB	9.81
1/2"	19349-211-540-NYB	19350-212-540-NYB	19351-213-540-NYB	9.81
3/4"	19349-211-785-NYB	19350-212-785-NYB	19351-213-785-NYB	9.81
TJ/	QJ 100 SERIES			
3/8"	18635-111-406-NYB	18636-112-406-NYB	18637-113-406-NYB	3.83
1/2"	18638-111-540-NYB	18639-112-540-NYB	18640-113-540-NYB	3.83
3/4"	18719-111-785-NYB	18720-112-785-NYB	18721-113-785-NYB	3.83

Triple Nozzle Body

- Designed to greatly simplify changing spray tips in the field
- Provides three spray positions for easy change of spray tips or quick boom flushing
- Positive shutoff between each spray position
- Includes ChemSaver® diaphragm check valve for drip-free shutoff
- Standard EPDM diaphragm with Viton available as an option
- Can be used with all Quick TeeJet caps
- Nylon body
- Maximum operating pressure of 125 PSI (9 bar)
- Available in 1/2" and 3/4" single or double hose



24230



Item	TJ/	Description	Price
1	18645-NYB-540	Single Hose Shank 1/2"	3.59
	18724-NYB-785	Single Hose Shank 3/4"	3.59
1A	18646-NYB-540	Double Hose Shank 1/2"	3.59
	18725-NYB-785	Double Hose Shank 3/4"	3.59
2	CP24232-NYB	Main Body, Nylon (black)	6.02
3	CP24221-SSPV	Clip	2.44
4	CP6227-TEF*	Diaphragm, Teflon (optional)	0.69
5	CP21953-EPR	Diaphragm, EPDM Rubber	0.43
6	21950-10-NYB	ChemSaver® End Cap Assembly, Nylon (black)	3.43
7	CP7717-2/109-EPR	O-Ring, EPDM Rubber (3 req'd)	2.02
8	CP24224-CE	Indexing Button, Celcon (gray)	0.48
9	24217-1-CE	Indexing Plate Sub-Assembly, Celcon (black)	10.68

TJ/	Description	Price
24230A-1-540-NYB	TeeJet Triple Nozzle Body 1/2" Dry Boom Single	21.11
24230A-1-785-NYB	TeeJet Triple Nozzle Body 3/4" Dry Boom Single	21.11
24230A-2-540-NYB	TeeJet Triple Nozzle Body 1/2" Dry Boom Double	21.11
24230A-2-785-NYB	TeeJet Triple Nozzle Body 3/4" Dry Boom Double	21.11
24231A-NYB	TeeJet Triple Nozzle Body 1/4" M.P. Thread	21.11