

DirectoValve



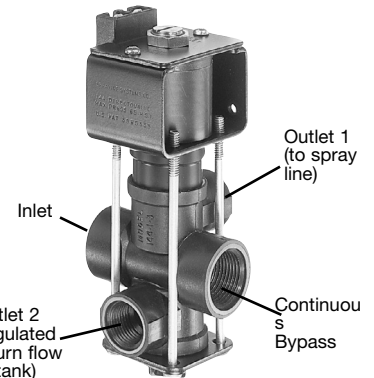
Spraying Systems Co.®

**Electrically-Operated
Metered
Bypass Valves**

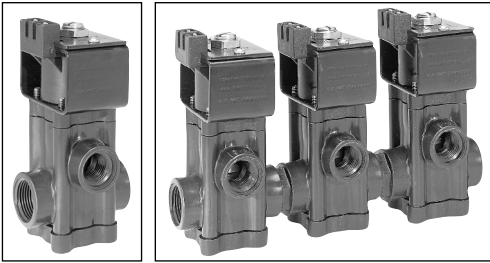
**Automatically maintains
system pressure**

The three-way solenoid-operated DirectoValve control valve bypasses boom flow to maintain constant spraying pressure when one or more boom sections are shut off. To maintain pressure with a 23520 Throttling Valve, Outlet 2 must be throttled to match the total capacity of the nozzles on that boom section.

- For pressures to 65 PSI (4.5 bar)
- 8 GPM (30 l/min) flow at only 5 PSI (0.35 bar) pressure drop
- 2.5 amp current draw
- Encapsulated 12VDC coil can be easily changed without removing valve from line
- Polypropylene body for chemical resistance
- Stainless steel internal metal parts
- Chemical-resistant EPDM diaphragms and seat washers



AA144A-1-3



AA144A-1

AA144A-3
(Three Unit)

AA144A-, AA145-, AA146- DirectoValve Control Valves

- Direct acting; large internal flow chamber without pilot hole reduces chance of clogging
- Stainless steel wetted parts provide additional corrosion resistance.
- Operate on 12 volt DC system
- Encapsulated solenoid coil can be changed without removing valve from system
- EPDM diaphragms and seat washers, Viton® optional
- Continuous flow through bypass connection, with flow to spray line controlled by valve "on-off" action

AA144A Valve for pressures up to 100 PSI

- 10 GPM (37.9 l/min) flow with only 5 PSI (0.35 bar) pressure drop
- Can be ganged with other 144A DirectoValve control valves
- 2.5 amp current draw
- Polypropylene body for chemical resistance
- Fabric reinforced Viton® diaphragms
- Also Available as 2-unit or 3-unit assembly

How to order:

To order, specify AA144A- then "1", "2" or "3" to indicate number of units. Example: AA144A-3

Model No.	Inlet Size	Outlet Size	Flow Rate of 5 PSI Pressure Drop	Maximum Pressure	Current Draw
AA144A-	3/4"	1/2"	10 GPM	100 PSI	2.5 amp

TJ/	GPM	PSI	Material	Price
AA144A-1	10	100	EPDM	149.77
AA144A-2	2-144A1	Valves connect		303.44
AA144A-3	3-144A1	Valves connect		457.15
AA144A-1-VI	10	100	Viton	177.00
AA145H-1	15	100	EPDM	342.97

REPAIR KITS

TJ/	For	Price
PK-AB144A-1-KIT	AA144A-1 EPDM Kit	26.88
PK-AB144A-1-VI-KIT	AA1441-1 Viton Kit	40.20
PK-AB144-1-KIT	AA144-1 EPDM Kit	26.78
PK-AB144-1-VI-KIT	AA144-1 Viton Kit	40.20
PK-AB144H-1-KIT	AA144H-1 EPDM Kit	26.88
PK-AB144H-1-VI-KIT	AA144H-1 Viton Kit	40.20
PK-AB145H-KIT	AA145H EPDM Kit	48.44

TJ/	Description	Price
AA144A-1-3	DirectoValve 3 Way	203.81
AA144A-1-3-VI	DirectoValve 3 Way, Viton	231.41
PK-AB144A-1-3-KIT	Repair Kit	30.85
PK-AB144A-1-3-VI-KIT	Repair Kit, Viton	44.23

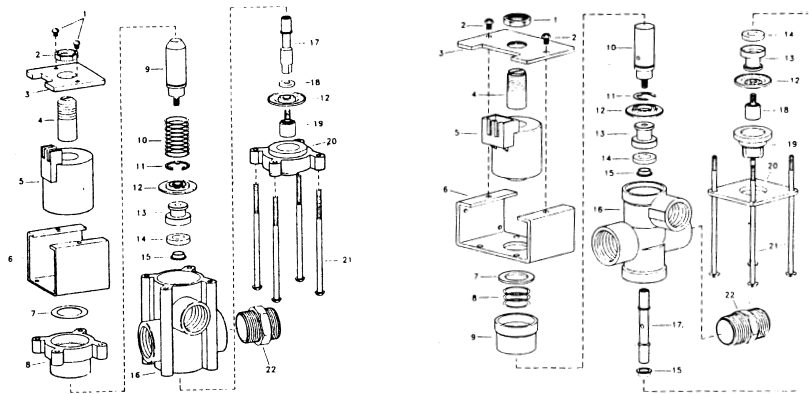
144A DirectoValve Assembly

ITEM	TJ/	DESCRIPTION
1	CP1493-SS	Screw, SS (2 Req'd)
2	CP15168-IENP	Jam Nut, Steel, ENP
3	CP15166-1	Coil Cover, Steel, EP
4	CP15161-1	Armature Stop, Steel, ENP
5	CP15163-NYB	Coil Assembly, Nylon Encapsulated (Black)
6	CP14927-3-1	Strap, Steel, EP
7	CP15169-302SS	Washer, Type 302 SS
8	CP15164-NYB	Upper Diaphragm Housing, Nylon, GF(Black)
9	CP15170-IENP	Armature, Steel, ENP
10	CP15167-302SS	Spring, Type 302SS
11	CP14813-IENP	Retaining Ring, Steel, ENP
12*	CP36101-EPR	Diaphragm, EPDM Rubber (Standard) 2 Req'd
**	CP36101-V1	Diaphragm, Viton (optional) 2 Req'd
13	CP14807-SS	Seat Washer Retainer, SS
14*	CP14802-EPR	Seat Washer, EPDM Rubber (Standard)
**	CP14802-V1	Seat Washer, Viton (Optional)
15	CP14811-SS	Spacer, SS
16	CP14801-PPB	Body, Polypropylene (Black)
17	CP14812-SS	Stem, SS
18	CP14806-SS	Washer, SS
19	CP15162-SS	Lower Diaphragm Piston, SS
20	CP15165-NYB	Lower Diaphragm Housing, GF Nylon (Black)
21	CP14819-SS	Screw, SS (4 Req'd)
22	CP21737-NYB	Connecting Nipple, Nylon (Black)

No. 144A-1, One Unit DirectoValve, Complete
 No. 144A-2, Two Unit DirectoValve, Complete
 No. 144A-3, Three Unit DirectoValve, Complete
 PK-AB144A-1-KIT - Spare Parts Kit (includes One Set of Items Market*)
 PK-AB144A-1-V1-KIT - Spare Parts Kit (includes One Set of Items Marked**)

**No. AA144A-1-3 & AAB144A-1-3
Three Way DirectoValve
By-Pass Valve Replacement Parts**

ITEM	TJ/	DESCRIPTION
1	CP15168-IENP	Jam Nut, E.N.P.
2	CP14933-SS	Screw, S.S. (2 Req'd)
3	CP15166-1	Coil Cover, Steel E.P.
4	CP38073-IENP	Armature, Steel E.N.P.
5	CP15163-NYB	Coil Assy. N.E.
6	CP14927-3-1	Strap, Steel E.P.
7	CP15169-302SS	Washer, Type 302 S.S.
8***	CP38076-302SS	Spring, Type 302 S.S.
9	CP38074-NYB	Upper dia. Housing N.G.F.
10	CP38072-IENP	Armature, Steel E.N.P.
11	CP14813-1-IENP	Ret. Ring, Steel - E.N.P.
12*	CP14818-EPR	Dia. EPDM (std) 2 Req'd
12**	CP14818-V1	Dia., Viton (opt) 2 Req'd
13	CP25678-SS	Seat Washer Ret. S.S. 2
14*	CP14802-1-EPR	Seat Washer EPDM (std) (2
14**	CP14802-V1	Seat Washer Viton (opt) 2
15	CP14811-SS	Spacer, S.S. 2 req'd
16	CP21672-1-PPB	Body, Poly for model #AA144A-1-3 (NPT)
16	CPB21672-1-PPB	Body, Poly for model #AAB144A-1-3 (BSPT)
17	CP21674-SS	Stem, S.S.
18	CP15162-SS	Lower Dia Piston, S.S.
19	CP38075-NYB	Lower Dia. Hsng N.G.F.
20	CP14804-1-1	Btm. Plate, steel E.P.
21	CP21673-SS	Screw, S.S. 4 req'd
22	CP21737-NYB	Conn. Nipple (use only for multi units.



Spraying Systems Co.®