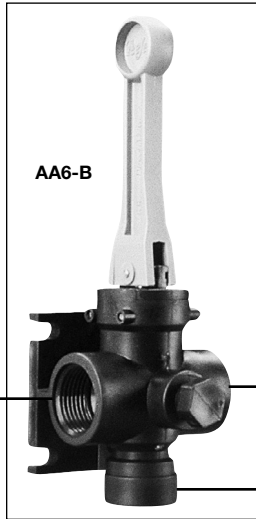


## DirectoValve



3/4 Inlet Connections

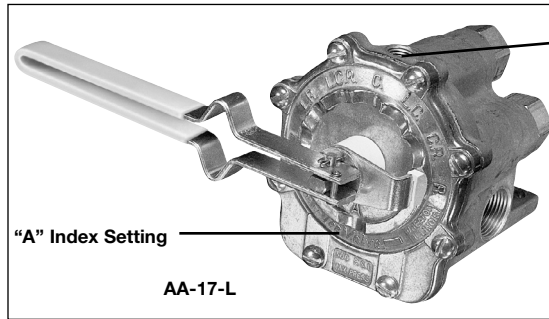
AA6-B

Molded-in Gauge Port

1/2" Boom Connection

### Model 6B

- Molded of corrosion-resistant materials, all wetted parts are polypropylene, stainless steel and polyethylene.
- Maximum pressure of 150 PSI/10 bar
- Large capacity, 12.5 GPM (471 1/min) at 5 PSI (0.35 bar) pressure drop
- Molded-in mounting flange and 1/4" NPT gauge port
- Valves can be ganged together using hex nipple for multiple-boom control
- Easily repaired without removing valve from spray line.



"A" Index Setting

AA-17-L

1/4" NPT Pressure Gauge Port

**For selective control of three-section boom sprayers at pressures up to 300 PSI.**

- Use to open any of three boom section lines in any desired combination.
- Raise lever to open, lower lever to close the valve without changing the indexed position.
- Aluminum construction with stainless steel and plastic internal parts for maximum corrosion resistance.



AA 244 C - 3/4

### Remote Control Electric Regulating Valve.

The AA244C-3/4 butterfly valve provides remote pressure control. Features two-wire lead for use in 12VDC system, reduced pressure loss (5PSI for 28 GPM flow), and maximum operating pressure of 100 PSI. 3/4" NPT (F) connections. Good corrosion resistance. Low current draw. (0.15 amp).



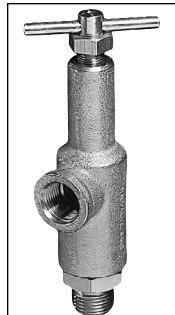
23120

### Piston-Type Pressure Relief/Regulating Valves

Bypasses excess liquid. Adjustable to maintain control of line pressure at any pressure within the valve's operating range. Selected pressure setting firmly held in place by locknut. Extra large valve passages to handle large flows.

#### Model 23120

- Stainless steel spring
- Excellent chemical resistance
- 1/4"-blind port for pressure gauge to be drilled by customer



#### Model 6815

- Other models for high pressures up to 700 PSI are also available
- Brass also available with hardened stainless steel seat



23520

For regulating flow in systems equipped with centrifugal pumps where sensitive regulation is required to control flow in jet agitator return lines. Locknut holds pressure setting firmly in place.

#### Model 23520

- Polypropylene construction for excellent chemical resistance.
- Pressure to 150 PSI (10 bar).
- 1/2" and 3/4" NPT or BSPT connections
- 10 PSI pressure drop at 6 GPM flow rate for 1/2", 18 GPM for 3/4" size.



AA 344 AE - 2 PR

### Linear Pressure Regulating Valve.

The AA344AE-2PR two-way linear pressure regulating valve is designed to provide gradual and smoother regulation and shutoff control in agricultural spraying operations. Features two-wire lead that provides easy installation with 744 Sprayer Control and similar 12VDC systems. Low power consumption (1.0 amp). Pressure drop of 5 PSI (0.35 bar) at 12 GPM (53 1/min). Maximum operating pressure of 300 PSI (20 bar). Available with 3/4" and 1" connections NPT or BSPT (F).

TJ/	Description	Price
23520-1/2-PP	1/2" Throttling Valve	\$ 28.89
23520-3/4-PP	3/4" Throttling Valve	28.89
23120-1/2-PP	1/2" Press. Relief Valve	33.33
23120-3/4-PP	3/4" Press. Relief Valve	33.33
23120A-1/2-PP	1/2" Valve - Viton	50.67
23120A-3/4-PP	3/4" Valve - Viton	50.37
PK-AB23120-KIT	Repair Kit for EPDM Valves	16.42
PK-AB23120A-KIT	Repair Kit for Viton Valves	19.29
8460-1/2-50	1/2" Press. Relief Valve 50#	61.22
8460-3/4-50	3/4" Press. Relief Valve 50#	61.22
8460-1/2	1/2" Press. Relief Valve 300#	61.22
8460-3/4	3/4" Press. Relief Valve 300#	61.22
PK-AB8460-KIT	Repair Kit for 8460 Valves	21.41
6815-1/2-300	Brass Press. Relief Valve 300#	71.05
6815-3/4-300	Brass Press. Relief Valve 300#	71.05
PK-AB6815-AL-300-KIT	Repair Kit for Aluminum Valve	14.54
PK-AB6815-300-KIT	Repair Kit for Brass Valve	15.44
AA6B	Manual Control Valve	49.23
AA17L	Control Valve	125.09
PK-AB17-KIT	Control Valve Repair Kit	34.69
AA244C-3/4	3/4" Remote Elec. Reg. Valve	150.05

VALVES