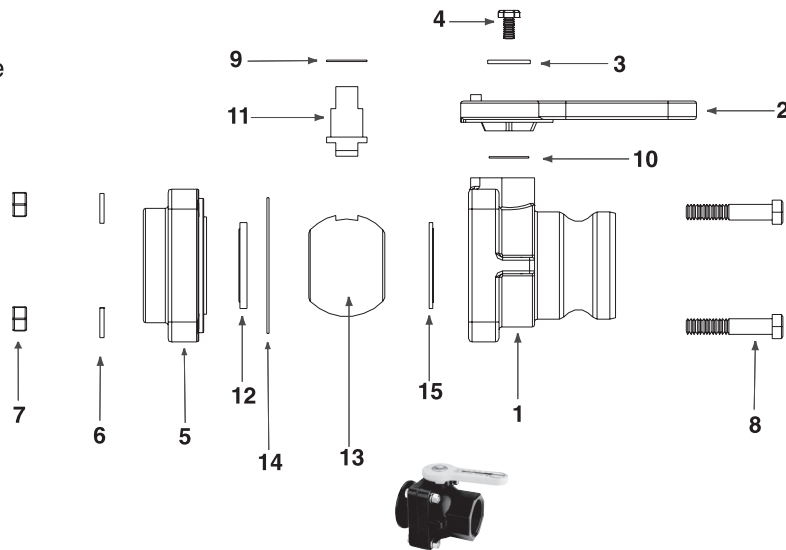


'STUBBY' MANIFOLD BALL VALVES

NOTE:

End Plates and body style may vary from picture.



REPLACEMENT PARTS -VSMT200CF - VSF200CF - MVSF220FP - MVSF220FP - MVS220CF				
ITEM	PART NO.	DESCRIPTION	QTY.	PRICE
3	V20021	Handle Washer	1	0.38
4	V20020	Handle Bolt	1	0.75
6	V20018	Lock Washer	4	0.38
7	V20019	Body Nut	4	0.92
8	V20010SS	Body Bolt	4	0.92
9	V20060*	Upper Stem Bushing	1	1.88
10	V20060*	Thrust Bearing	1	1.88
11	VS20151	Stem	1	8.57

REPLACEMENT PARTS - MVS220FP				
ITEM	PART NO.	DESCRIPTION	QTY.	PRICE
1	VFT25254	2" FP Stubby Female NPT Body	1	16.51
2	VS25153	2" FP Stubby Handle	1	11.78
5	VS25378	2" Stubby End Plate	1	16.51
12	VS25258AR1	Seat	2	4.97
13	VS25255*	Ball	1	11.29
14	V25214V*	Body Gasket-FKM (viton type)	1	4.82

Valve Repair Kits Contain Items Marked With Asterisk



REPLACEMENT PARTS - VSMT200CF				
ITEM	PART NO.	DESCRIPTION	QTY.	PRICE
1	VMT22254	2" Male NPT Style Body	1	23.63
2	VS20152SH	2" Short Style Handle	1	7.70
5	VS20294	2" Stubby End Plate	1	13.84
12	VS20258A*	Seat	2	8.57
13	VS20255*	Ball	1	9.30
14	V21204*	Body Gasket	1	3.86
N/S	VS20200*	Repair Kit	1	40.78

REPLACEMENT PARTS - MVSF220FP				
ITEM	PART NO.	DESCRIPTION	QTY.	PRICE
1	VF25254	2" FP Stubby Body - Male Adapter	1	15.50
2	VS25153	2" FP Stubby Handle	1	11.78
5	VS25378	2" Stubby End Plate	1	16.51
12	VS25258AR1	Seat	2	4.97
13	VS25255*	Ball	1	11.29
14	V25214*	Body Gasket	1	4.82



REPLACEMENT PARTS - VSF200CF				
ITEM	PART NO.	DESCRIPTION	QTY.	PRICE
1	VF22254	2" Male Quick Connect Style Body	1	15.50
2	VS20152SH	2" Short Style Handle	1	7.70
5	VS20294	2" Stubby End Plate	1	13.84
12	VS20258A*	Seat	2	8.57
13	VS20255*	Ball	1	9.30
14	V21204*	Body Gasket	1	3.86
N/S	VS20200*	Repair Kit	1	40.78

REPLACEMENT PARTS - MVS220CF				
ITEM	PART NO.	DESCRIPTION	QTY.	PRICE
1	MV25254	2" Full Port Manifold Body	1	15.50
2	VS25153	2" Full Port Stubby Handle	1	11.78
5	VS25378	2" Stubby End Plate	1	16.51
12	VS25258AR1	Seat	2	4.97
13	VS25255	Ball	1	11.29
14	V25214V	Body Gasket- FKM (viton type)	1	4.82

VALVES