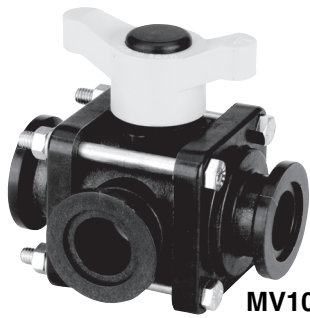




- Stainless Steel Bolts.
- Precision molded in polypropylene. Polypropylene is reinforced with fiberglass for additional strength.
- Self-aligning ball moves freely against the PTFE seats for smooth operation. The valve opens and closes with very little pressure on the handle.
- Ball is diamond turned, after molding, to make it spherically perfect, which provides precise contact between ball and seats.
- FKM (viton type) seals.
- PTFE self-lubricating stem bushings and seats cannot stick or bind.
- Maximum operating pressure 100 P.S.I.



MV100BL



MV100SL

4 BOLT BOTTOM LOAD MANIFOLD VALVES

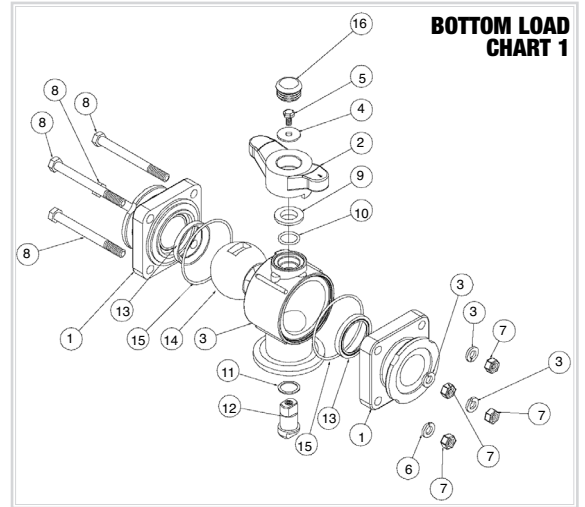
PART NO.	DESCRIPTION	MAX PSI	FLANGE SIZE	OPENING THRU BALL	HANDLE TYPE	PRICE
MV100BL	1" Flanges	100	1"	1"	T	51.18
MV200BL	2" Standard Port Flanges	100	2" SP	1 1/2"	T	66.18
MV220BL	2" Full Port Flanges	100	2" FP	2"	Straight	104.79

BOTTOM LOAD: Directional flow right or left. Valve can be turned off to stop flow.

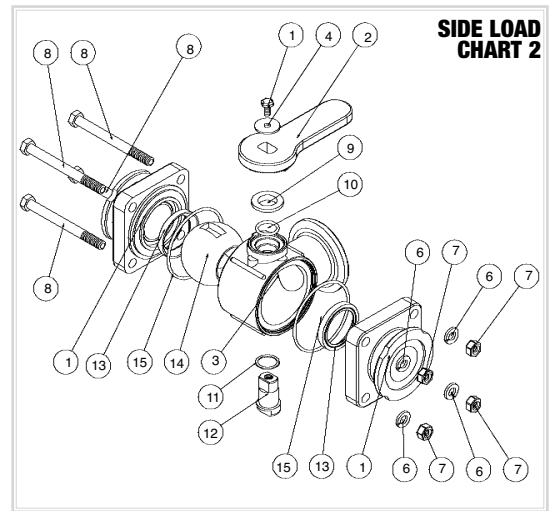
4 BOLT SIDE LOAD MANIFOLD VALVES

PART NO.	DESCRIPTION	MAX PSI	FLANGE SIZE	OPENING THRU BALL	HANDLE TYPE	PRICE
MV100SL	1" Flanges	100	1"	1"	T	51.88
MV200SL	2" Standard Port Flanges	100	2" SP	1 1/2"	Straight	66.18
MV220SL	2" Full Port Flanges	100	2" FP	2"	Straight	104.79
MVT220SL	2" FP Flanges (NonStock)	100	2" FP	2"	T	107.49

SIDE LOAD: Directional flow right or left. Valve cannot be turned off.



**BOTTOM LOAD
CHART 1**



**SIDE LOAD
CHART 2**

Accessories for valves on page 10. If not listed, no optional handle is available.

VALVES



MV300BL

3" 6 BOLT BOTTOM LOAD MANIFOLD VALVES

PART NO.	DESCRIPTION	MAX PSI	FLANGE SIZE	OPENING THRU BALL	HANDLE TYPE	PRICE
MV300BL	3" Flanges	100	3"	3"	Straight	280.92



REPLACEMENT PARTS – MV300BL					
ITEM	PART NO.	DESCRIPTION	QTY.	PRICE	
1	MV35278	3" Manifold End Plate	2	44.72	
2	V25353B	Handle (Straight)	1	11.78	
3	MV35254BL	3" FP Manifold Body	1	52.17	
4	V25121	Handle Washer	1	0.49	
5	V25020	Handle Bolt	1	1.54	
6	V20018	Lockwasher	4	0.38	
7	V20019	Body Nut	4	0.92	
8	V25017	Body Bolt	4	2.11	
9	V25160	Upper Stem Bushing	1	3.72	
10	V25163	Stem O-Ring –FKM(viton type)	1	3.22	
11	V25060	Thrust Bushing	1	1.88	
12	V25151B	Stem	1	11.80	
13	V35258A	Seat	2	18.31	
14	V35255BL	Bottom Load Ball	1	13.78	
15	V35264BL	Body O-Ring	2	8.82	